

Cermet rotary potentiometers



Series C 13

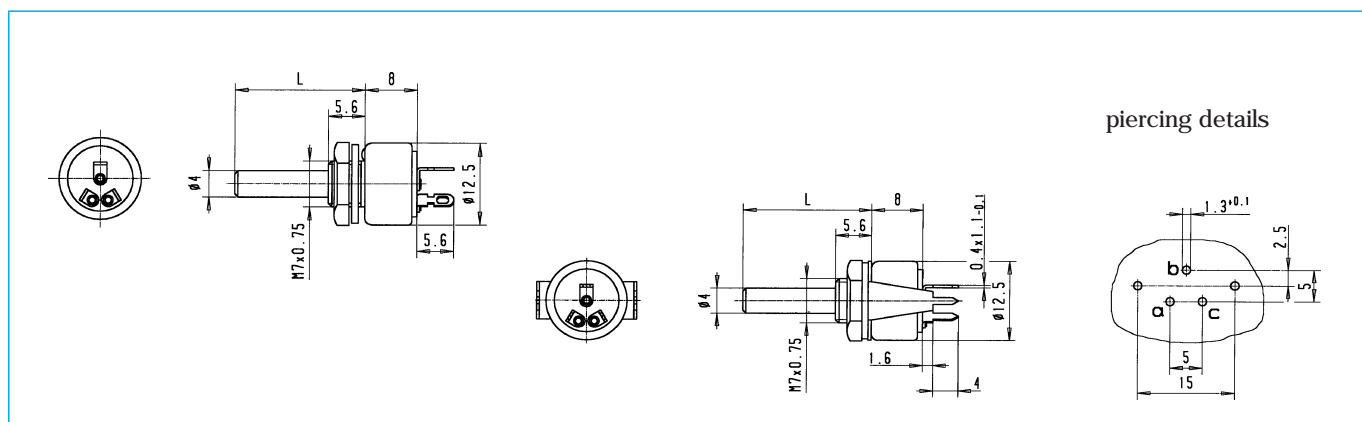
Ordering code no.: 21 013....

Type C 13, Type C 13 S

Type C 13 Solder tag terminations
Type C 13 S Terminals for printed circuit board

Ordering code no.: 21 013 0....

Ordering code no.: 21 013 1....



Technical data

Rated resistance range:	50 Ω - 4,7 M Ω
Resistance tolerance:	≤ 1 M Ω : $\pm 20\%$ * > 1 M Ω : $\pm 30\%$ *
Law (resistance taper):	lin
Rated dissipation:	1 W / 70°C
Limiting element voltage:	300 V
Temperature range:	-55°C bis + 125°C
Electrical travel:	220° $\pm 10^\circ$
Mechanical travel:	250° $\pm 10^\circ$
Operating torque:	0,5 - 3,5 Ncm
End stop torque:	70 Ncm

Spindles
Metal
Length "L" 12; 20; 32; 40 und 42 mm
(preference of stock: 40 mm)

Accessories
Hexagon nut, washer

* other values and laws on request

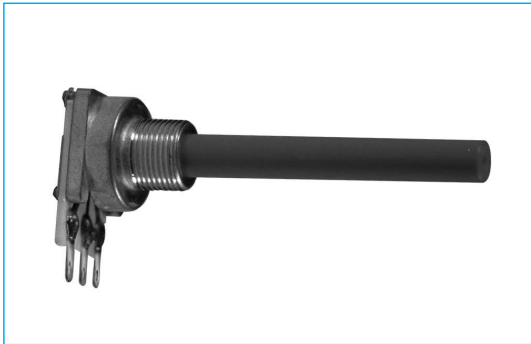
Technical details subject to change

Series C 16

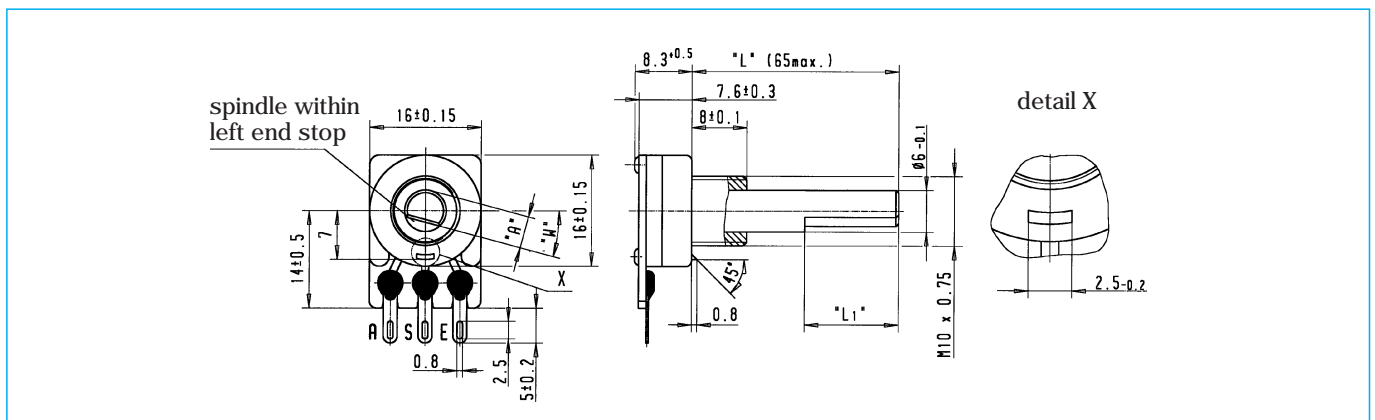
Ordering code no.: 21 016 0...

Type C 16

Basic design: diecast housing, plastic moulded spindle, solder tag terminals



Special versions:
- ready made with cable or
cable with connector



Technical Data

Rated resistance range	22 Ω - 10 MΩ	Spindles acc. to customer's request
Resistance tolerance:	± 20% *	"L" - spindle length, max 65 mm
Law (resistance taper):	lin *	"L ₁ " - length of flat
Rated dissipation:	0,5 W / 70°C (1 W / 40°C)	"A" - breadth
Limiting element voltage:	250 V	"W" - angle of flat
Isolation voltage:	500 V~	- other spindle versions on request
Temperature range:	-40°C to + 125°C	Accessories
Temperature coefficient:	für R _N ≥ 1 kΩ: ± 100 ppm /°C für R _N < 1 kΩ: ± 200 ppm /°C	Hexagon nut, washer
Electrical travel:	240° ± 10°	
Mechanical travel:	270° ± 5°	
Operating torque:	0,3 - 2 Ncm	
End stop torque:	≥ 50 Ncm	
Thrust on spindle:	max. 100 N	
Durability:	10 000 cycles	

* other values and laws on request

Technical details subject to change